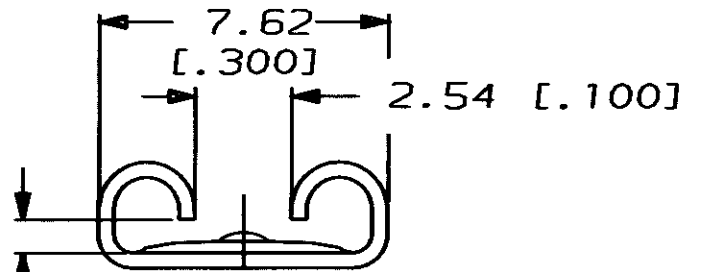
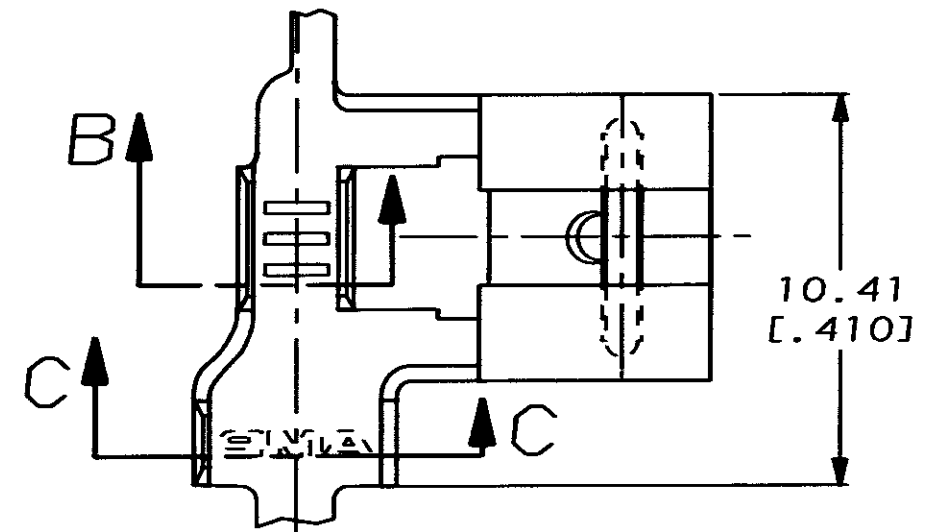


THIS DRAWING IS UNPUBLISHED. RELEASED FOR PUBLICATION .19 .  
 © COPYRIGHT 19 BY AMP INCORPORATED. ALL INTERNATIONAL RIGHTS RESERVED.

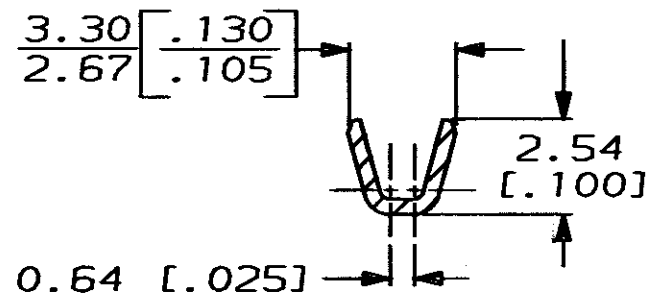
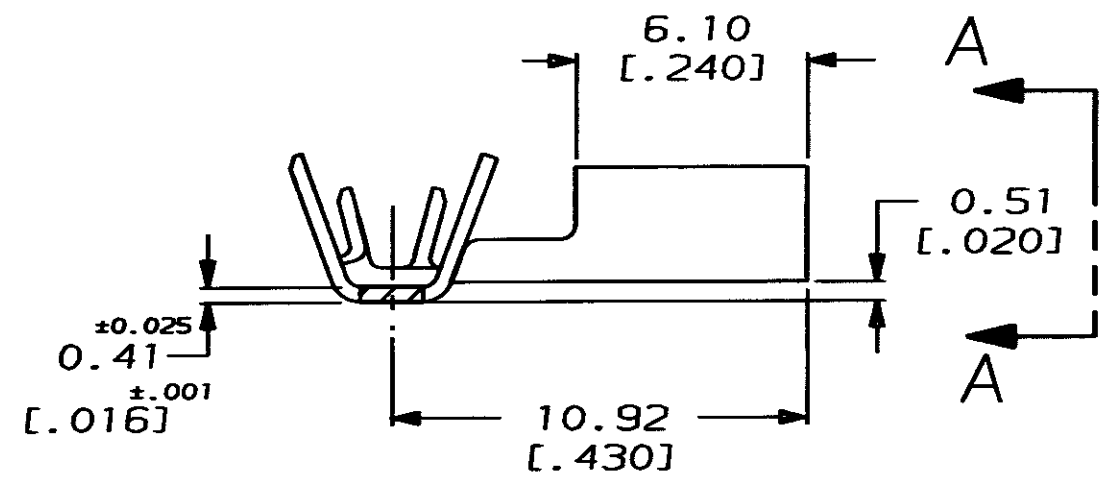
LOC	DIST	P	F	ZONE	LTR	REVISIONS	DATE	APPD
AF	50				F	REVISED AF-7660	10/21/91	JR

1 CONTINUOUS STRIP ON REELS.

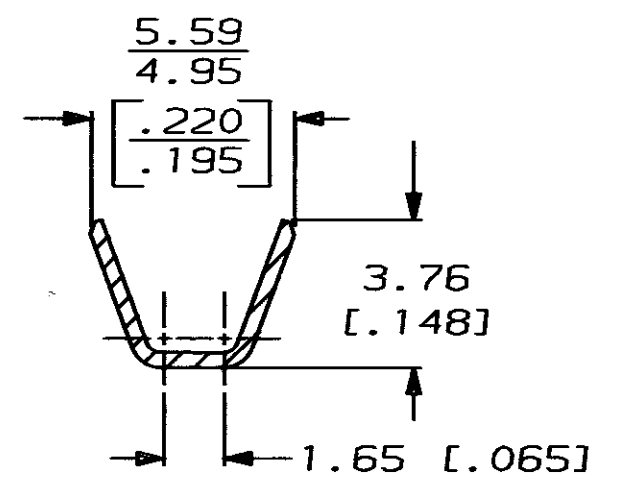


FITS 6.35 [.250] SERIES FASTON TAB

VIEW A-A



SECTION B-B



SECTION C-C

TIN	1.52-2.54	0.3-0.9mm <sup>2</sup>	0.81	62718-2
-	[.060-.100] DIA	[22-18] AWG	[.032]	62718-1
FINISH	INSUL RANGE	WIRE SIZE	MATING TAB THK ±0.025 [.001]	PART NO
DO NOT SCALE PRINT. UNLESS SPECIFIED DIMENSIONS IN INCHES TOLERANCES ON: 2 PLC DEC ± - 3 PLC DEC ± 0.38 [.015] ANGLES ± -	DR 4/9/91 JR RUTH CHK 4/9/91 MS FEHER	AMP AMP Incorporated Harrisburg, PA 17105-3608		
MATERIAL 4M BRASS	APPD 4/9/91 C MEYERS APPD 4/9/91 R KUZO PRODUCT SPEC	NAME RECEPTACLE, FASTON, FLAG, 6.35 [.250] SERIES		
FINISH SEE TABLE	APPLICATION SPEC	SIZE B	CAGE CODE 00779	DRAWING NO 62718
	WEIGHT -	SCALE 5:1	SHEET 1 OF 1	

**METRIC**